

# Touch\_IT-AC4-IP65

## Data sheet

---



### Touch\_IT-AC4-IP65

The 4.3" IPS display with 800 x 480 pixels and 16M colors is used for visualization and control in KNX systems.

The device is supplied with a mounting ring. A locking screw is used for fastening in a standard (60/68 mm) flush-mounted box.

The installation direction is either horizontal or vertical.

The Touch\_IT-AC4 has an integrated KNX bus coupler and requires an additional voltage of 9 .. 32VDC / 2.5W.

Various operating elements are available for the application software. The Touch\_IT-AC4 must be projected with the ETS (EIB Tool Software) and the application program **TouchIT\_V2.knxprod**.  
> see also **1300\_Manual\_Touch\_IT\_series.pdf**

Operating elements and page layout can be configured via the ETS.

### Technical and functional basic data

- 4.3" IPS display with 800 x 480 pixels and 16M colors
- Capacitive touch screen
- Complete commissioning via ETS5®
- Linux operating system for easy system expansion
- USB port for configuration
- Power supply with 2nd pair of wires or via USB port
- KNX bus load <=10mA
- Installation in standard flush-mounted box 68mm



Touch_IT-AC4-IP65	aluminum sandblasted	22414065
-------------------	----------------------	----------

### Main features

- 6 display pages, each with up to 8 control elements, each with up to 4 KNX communication objects
- Switching and dimming of the lighting
- RGB control with color picker
- Display of the switching status in the building
- Handling of shutters/blinds
- Audible and visual alarm functions
- Display of object states as plain text
- Display and setting of heating control parameters
- Control of multiroom audio systems
- Display of temperatures
- Weekly timer | Astronomical timer for sunset/sunrise controlled controls
- Data logging and on-display graphing capability
- Internal scenes with 32 action objects and programmable delays
- Logic functions can be implemented in a scripting language
- Separate display page for alarm purposes
- Each page and element can be protected by global or dedicated passwords
- Different layouts, visual styles and standby options
- Many languages available
- Character sizes and styles are selectable
- Possibility for custom layouts, icons, screensavers, etc.

e0 / Subject to change

---

### Installation

The display is designed for surface mounting. The degree of protection is IP65.  
It is mounted using the supporting ring, a locking screw type Allen key 1,5 is used for fixing.

Please be careful not to damage electronic parts with tools or cable ends during installation.

The installation direction is either horizontal or vertical.

When starting the device (by connecting AUX or USB), landscape or portrait mode of the installation layout is adjusted.  
Mounting takes place on the support ring by turning to the right.

### Commissioning

The KNX display is commissioned via the ETS (EIB Tool Software) and the corresponding application software. When delivered, the device is unprogrammed. All functions must be parameterized and programmed via the ETS.

**See also >1300\_ManualTouch\_IT\_series**

### Unload program and reset device

If the visualization does not react due to a malfunction or an incorrect configuration of the programming, the device can be reset to the delivery status. Disconnect USB and AUX and reconnect one of them. When the penguins appear, press anywhere on the touch screen and hold until the reset menu appears. Confirm by pressing Reset.  
Then you can transfer your project again.

### Behavior on bus voltage recovery

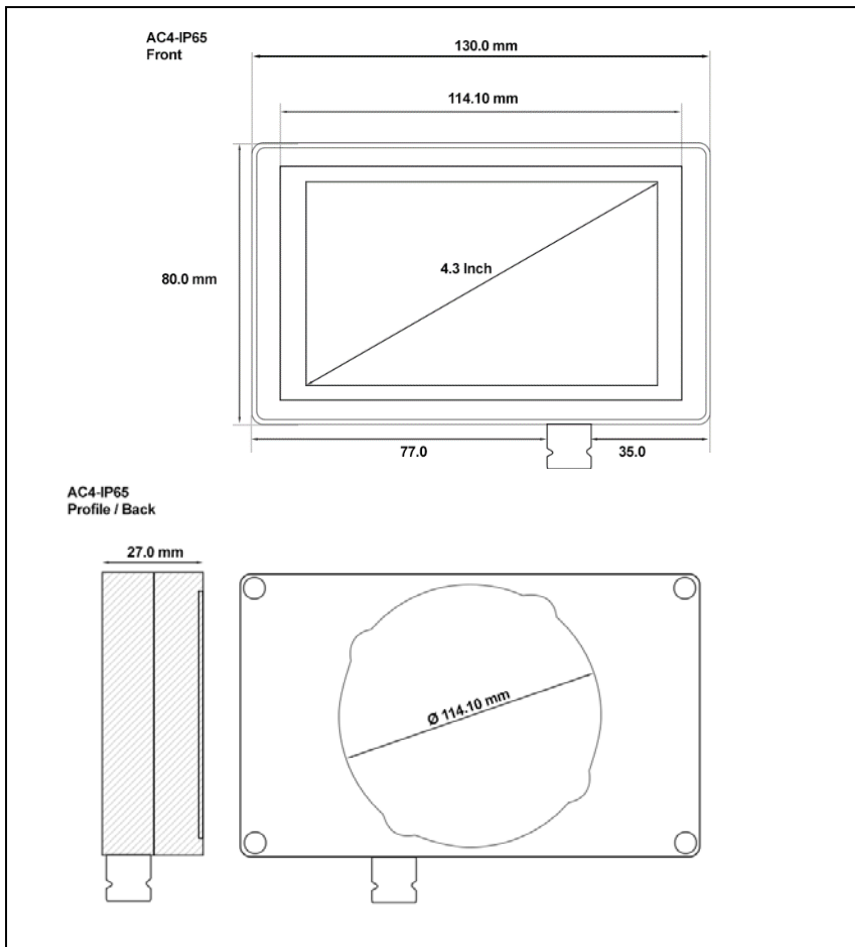
All settings made with the ETS are retained.

### WARNING

- The device must not be connected to 110V/230V lines
- The applicable safety regulations must be observed.
- The device may only be installed and commissioned by authorized specialist personnel.
- The applicable safety and accident prevention regulations must be observed.
- The device must not be opened. All faulty devices are to be returned to the manufacturer.
- When planning and installing electrical systems, the relevant guidelines, regulations and standards of the respective country must be considered.
- The KNX bus allows commands to be sent to the system's actuators.
- Always make sure that executing remote commands does not lead to dangerous situations and that the user always gets a warning about which commands can be activated remotely.
- The KNX bus is generally not suitable for security-related installations.

e0 / Subject to change

**Dimensions**



**Connector description**



e0 / Subject to change

Technische Daten	
Display	4.3" IPS display   800 x 480pixels 16M colors
Processor	ARM processor 8 Core,1.2GHz
Operating system	Linux
Memory	8 GB internal flash memory
	1 GB of RAM
Backlight	LED backlight
Parameterization	ETS5®
Functionality	>70 different functions for each GUI element
Max. number of elements	8 elements per page (each with up to 4 objects)
Max. number of pages	5 control pages + 1 alarm page or 6 control pages
Ambient temperature, storage	-5 .. +45 °C
Ambient temperature, operation	-20 .. +55 °C
Bus voltage	21..32 VDC
Bus power	max. 10mA
Additional voltage	9..32 VDC/ 2,5W
Bus coupling module	Integrated
Commissioning via ETS	Touch_IT_V2.knxprod
In housing connections	KNX 2-pin Terminal ( red / black ) AUX 2-pin. Clamp ( yellow / white ) MicroUSB
Connections outside	
Degree of protection	IP65
Installation type	Surface mounting
Installation orientation	Optional horizontal or vertical (selected during installation)
Housing	Aluminum silver, sand blasted, anodized
Case dimensions	(130 x 80 x 27) mm
Article number	22414065

#### Electrical safety

Degree of pollution:	2 (EN 60664-1)
Degree of protection:	IP65 (EN 60529)
Protection class:	III (IEC 1140)
Overvoltage class:	III (IEC 664-1)
Bus: SELV:	21 .. 32 VDC
Reference standards:	EN 63044-3

#### Electromagnetic compatibility

Reference standards:	EN 63044-5-1 / EN 63044-5-2
----------------------	-----------------------------

#### Environmental specification

Reference standards:	EN 50491-2
Operating temperature:	-5°C +45°C
Storage temperature:	-20 °C +55 °C
Relative humidity (non-condensing):	max. 90%
Installation environment:	outdoors, protected from rain and direct sunlight

e0 / Subject to change

## Imprint

Publisher: Arcus-EDS GmbH, Rigaer Str. 88, 10247 Berlin  
Responsible for the content: Hjalmar Hevers, Sascha Bergmann

Reprints, including excerpts, are only permitted with the approval of Arcus-EDS GmbH.  
All information without guarantee, subject to technical changes and price changes.

## Liability

The selection of the devices and the determination of the suitability of the devices for a specific purpose are solely the responsibility of the purchaser. No liability or guarantee is assumed for these. The information in the catalogs and data sheets does not represent a guarantee of particular properties, but results from empirical values and measurements. Liability for damage caused by incorrect operation/project planning or malfunctions of the devices is excluded. Rather, the operator/planner must ensure that no further damage can occur as a result of incorrect operation, incorrect configuration and malfunctions.

## Safety regulations

Caution! Installation and assembly of electrical devices may only be carried out by a qualified electrician. The buyer/operator of the system must ensure compliance with the relevant safety regulations of the VDE, TÜV and the responsible energy supply companies. No warranty is accepted for defects and damage caused by improper use of the devices or non-observance of the operating instructions.

## Disposal



The crossed-out wheeled bin symbol on the device or packaging means that the product must not be disposed of with other general waste at the end of its useful life.

## Warranty

We provide warranty within the scope of the legal provisions.  
In the event of a claim, please contact us and send the device, with a description of the error, to our company address below.

## Manufacturer



The CE mark is a free trade mark, which is aimed exclusively at the authorities and does not include any assurance of properties



Registered trademark of the KNX Association

e0 / Subject to change