

## Product Page

SK01-T-RPTF1 with Pendulum Room Probe

## 1.1 Product Page

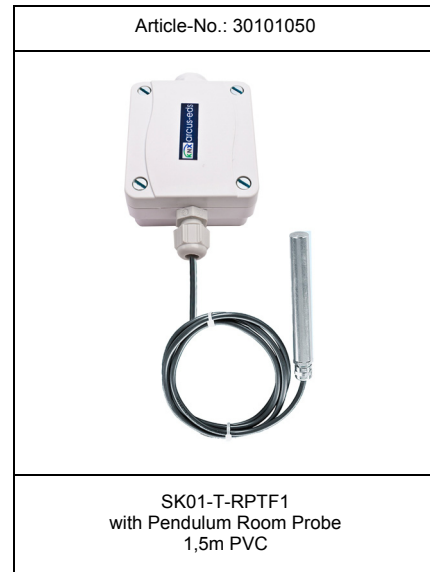
The KNX-Sensor Temperature **SK01-T-RPTF1** with the PT1000 is in sheath tube. Installation in rooms with a high ceiling with a suspended sensor. The integrated KNX bus coupler does not need additional auxiliary supply.

The transducer with the bus coupler is enclosed in a durable, sealed, glass ball-reinforced plastic casing which fulfils protection degree IP65.

In the application software, the default controller types (increase / decrease), RTR (relative / absolute) with the settings (PI-continuous / switched) and two-point are available.

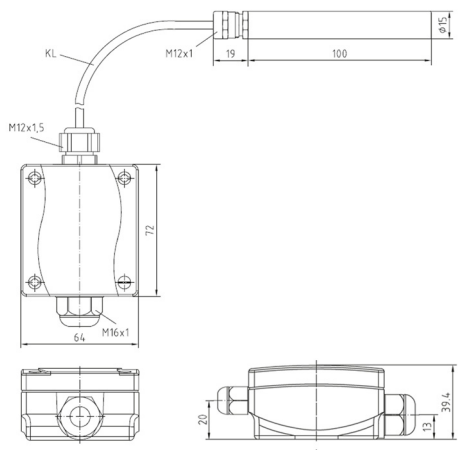
Additional functions like frost alarm, limits for temperature readings, minimum / maximum value and a tracking control are included.

The sensor is configured by ETS ( KNX Tool Software ) and the application program. Controlling functions such as signal threshold and other adjustments are parameterized by the ETS ( KNX Tool Software ).



## Applications

- Temperature detection/controlling in large rooms and halls
- General monitoring and control of temperatures
- Monitoring and control of temperatures for heating and cooling purposes and for logging
- Decentralised control for constant KNX-Valves or electro-thermal valves
- Storing the maximum and minimum values
- Room temperature controller with options Comfort / Standby / Night / Frost Protection
- Direct set point presetting and display of actual values via the KNX bus

<p>Sensor: PT1000 Pendulum Room Probe 100 mm, M12 / 1,5 mm</p> <p>Connecting Cable: 2m PVC</p> <p>Measurement Range: -30 .. +75 °C PVC</p> <p>Accuracy: ± 0,01 °C Resolution: ± 0,3 °C + Accuracy of the sensors</p> <p>Operating Temperature: -25 .. +80 °C Storage Temperature: -25 .. +85 °C</p> <p>Protection Class: IP65</p>	
---	--

## 1.2 Technical Data

### Technical Data - SK01-T-RPTF1

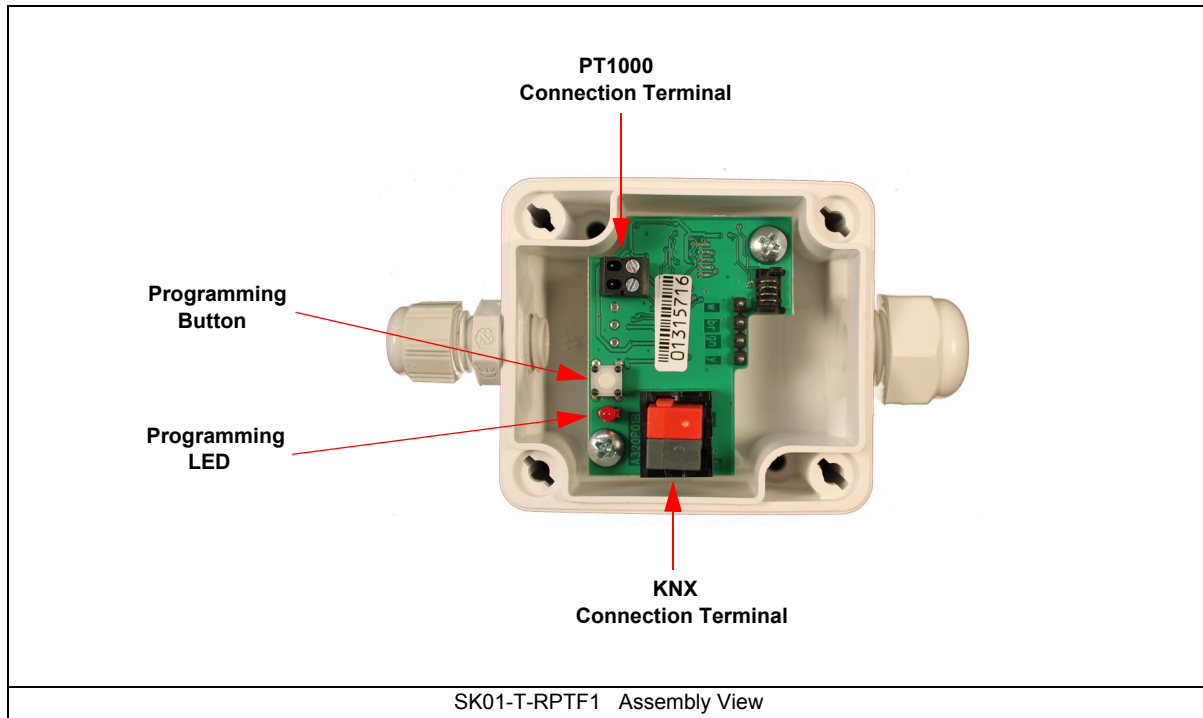
Measurement	Temperature
Object Typ	2-Byte-float
Temperature Controller HVAC Modi	HVAC with Increase / Decrease Options HVAC with Relative Set Point Adjustment HVAC with Absolute Set Point Adjustment
Temperature Controller Operating Modes	Comfort Temperature Standby Temperature Night Temperature Frost Protection Temperature
Temperature Controller Controller Output	Steady PI Controller Switched PI Controller (PWM) Two-Position Controller
Temperature Controller HVAC-Display	HVAC-Status Byte
Limit Alarm ( upper / lower )	Temperature
Minimum / Maximum Temperature	Saved Minimum / Maximum Actual Temperature
Frost Protection Alarm	Falling Below Frost Protection Temperature
Tracking	Temperature
Adjustment Parameters	Offset Adjustment, Output Inversion
Lock and Reset Object	Minimum / Maximum Temperature
Send Options	Do not Send Periodic Sending by Adjustments
Environment Temperature	Storage: -25 .. +85°C Operating: -25 .. +80°C
Environment Humidity	0 .. 95% rH not Condensed
Temperature Range	-30 .. +75°C
Accuracy	± 0,3°C
Resolution	± 0,01°C

## Technical Data - SK01-T-RPTF1 ( Fortsetzung )

Operating Voltage	EIB/KNX Bus Voltage 21 .. 32VDC
Power Consumption	approx. 240mW ( at 24VDC )
Auxiliary Supply	not Required
Bus Coupler	Integrated
Start-up with ETS	<b>ARC_TFK.VD2</b> <b>Product: Sensor Temperature IP65</b>
Circuit Points	EIB-2-Pole Clamps ( red / black )
Protection Class	IP65
Assembly Type Transducer	Assembly with 2 Screws Finery
Casing Transducer	White Plastic
Casing Dimensions	72 x 64 x 40 mm ( W x D x H )
Article Number	<b>30101050</b>
Probe	PT1000

### 1.3 Startup

The KNX Sensor is set up using the ETS ( KNX Tool Software ) and the applicable application program.  
The sensor is delivered unprogrammed.  
All functions are programmed and parameterized with ETS.  
Please read the ETS instructions.



### 1.4 Assembly

The **SK01-T-RPTF1** sensors are for outdoor and ( moist ) indoor areas.  
They fulfill protection class ( IP65 ).

When connecting the PT1000 sensor does not have to be polarity independent.

After the sensor has been mounted onto the wall or ceiling, lead the KNX bus cable through the hole in the casing ( PK screw connection ). Remove the bus clamps from the device and connect the cable to it. Place the bus clamps back onto the device. After programming the device, place the lid back on by twisting the screws 90°.

Be careful not to damage the electronics during the installation process

#### In Case of Bus Voltage Recurrence

All changes made using the help key for the KNX/EIB bus are saved if the device has been correctly parameterized.  
The controller and outputs start with their current values and the ETS parameter settings are saved.

#### Discharge Program and Reset Sensor

In order to delete the programming ( projecting ) and to reset the module back to delivery status, it must be switched to zero potential ( disconnect the EIB bus coupler ).

Press and hold the programming button while reconnecting the EIB bus coupler and wait until the programming LED lights up ( approx. 5-10 seconds ).

Now you can release the programming button.

The module is ready for renewed projecting.

If you release the programming button too early, repeat the aforementioned procedure.